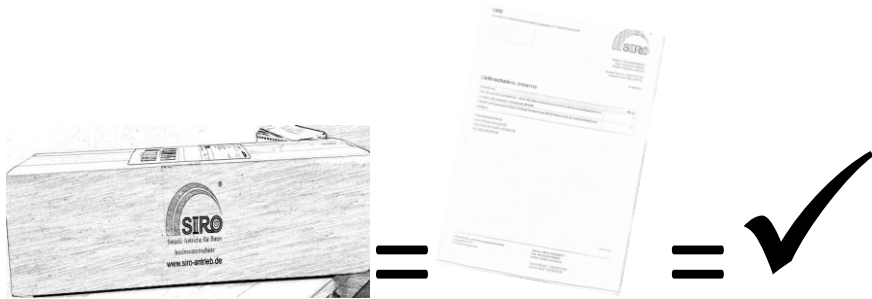


Assembly Instructions of GARDINIA EASYFIX roller blinds with SIRO engine

1. Check the completeness of your order, using the delivery note



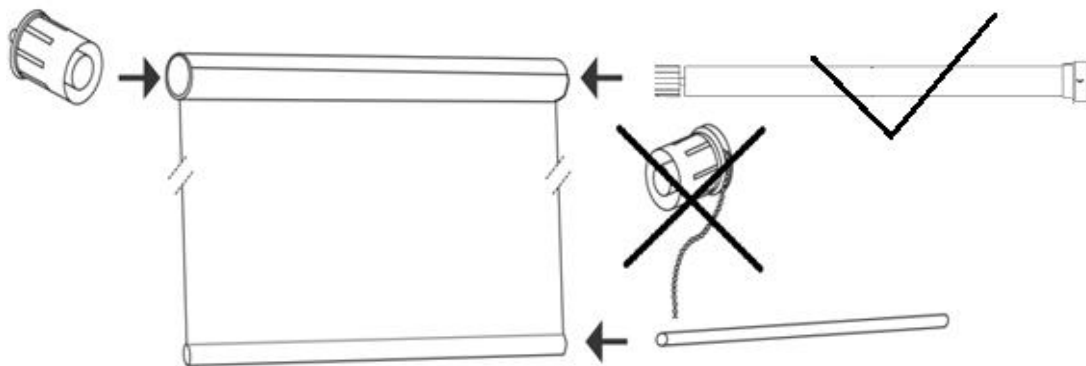
2. Before you input the engine into the roller blinds' tube,

- charge the battery
- create the connection between the controller and your engine
- set the turning direction of the engine

The operation manuals of the SIRO engines explain how to complete the above tasks

3. Put the engine into the tube of the roller blinds (look up Gardinia's instructions step 2)

- place the correct adapter onto the engine
- use the engine instead of using the lift cord, push the engine into the roller blinds' tube



4. Assemble your smart roller blinds according to Gardinia's instructions onto your window

5. Set your roller blinds according to the operating manuals of SIRO

- set end positions
- set middle positions (optional)